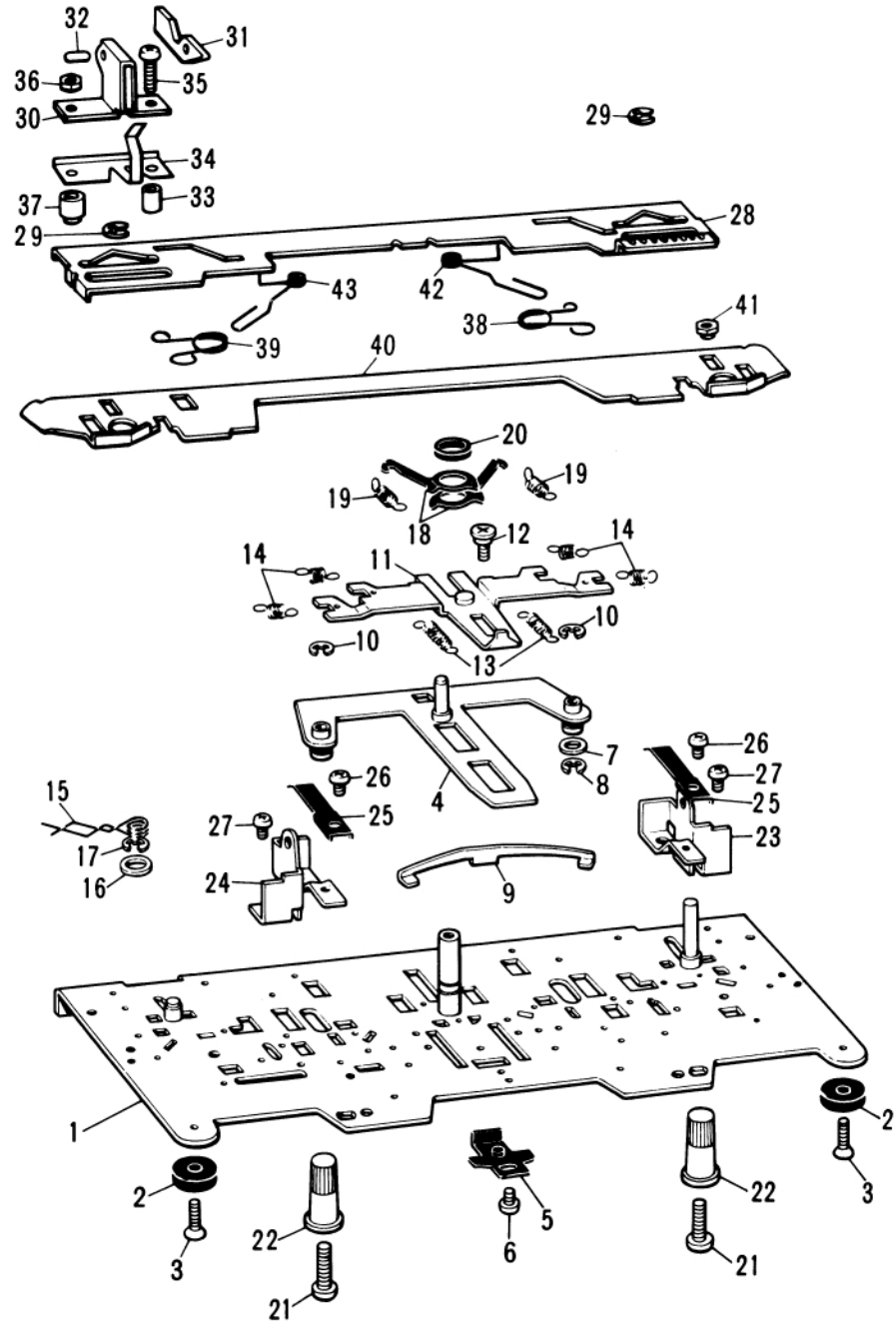
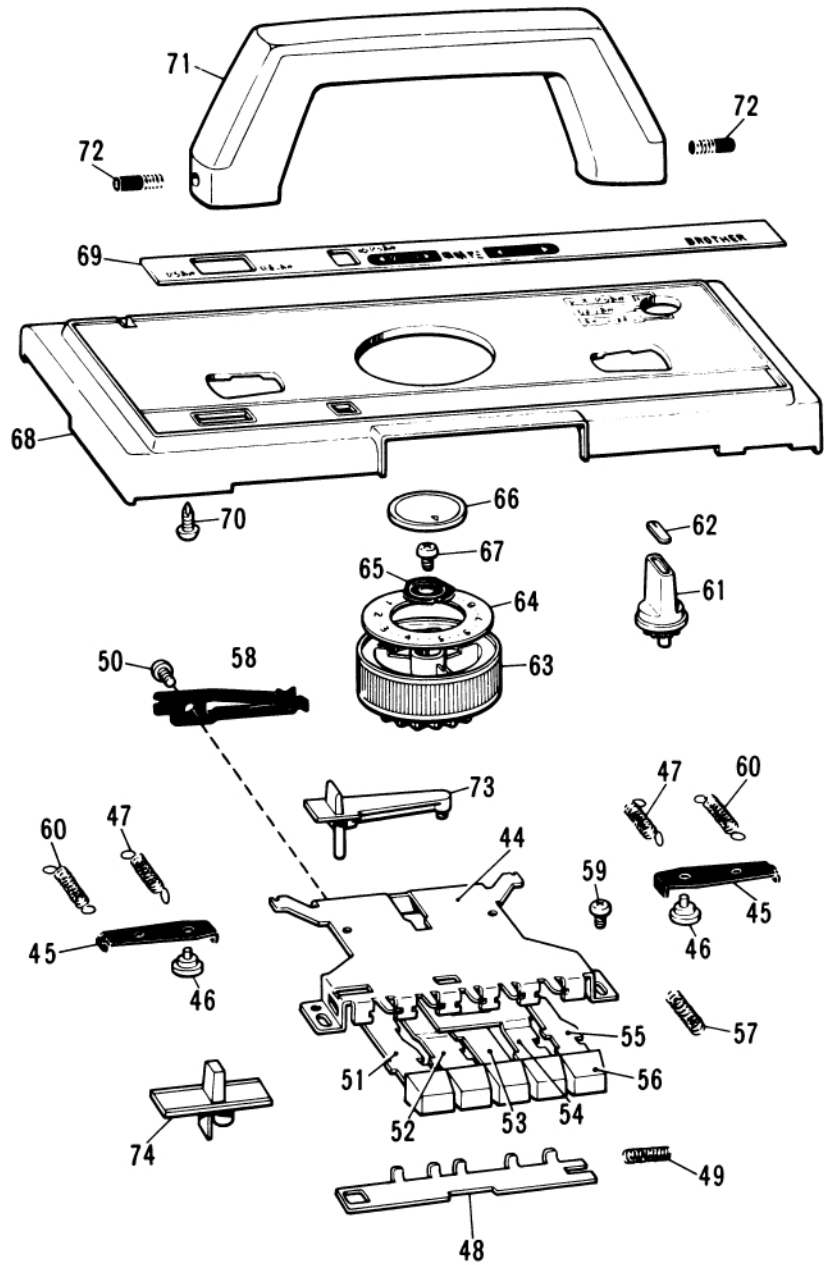
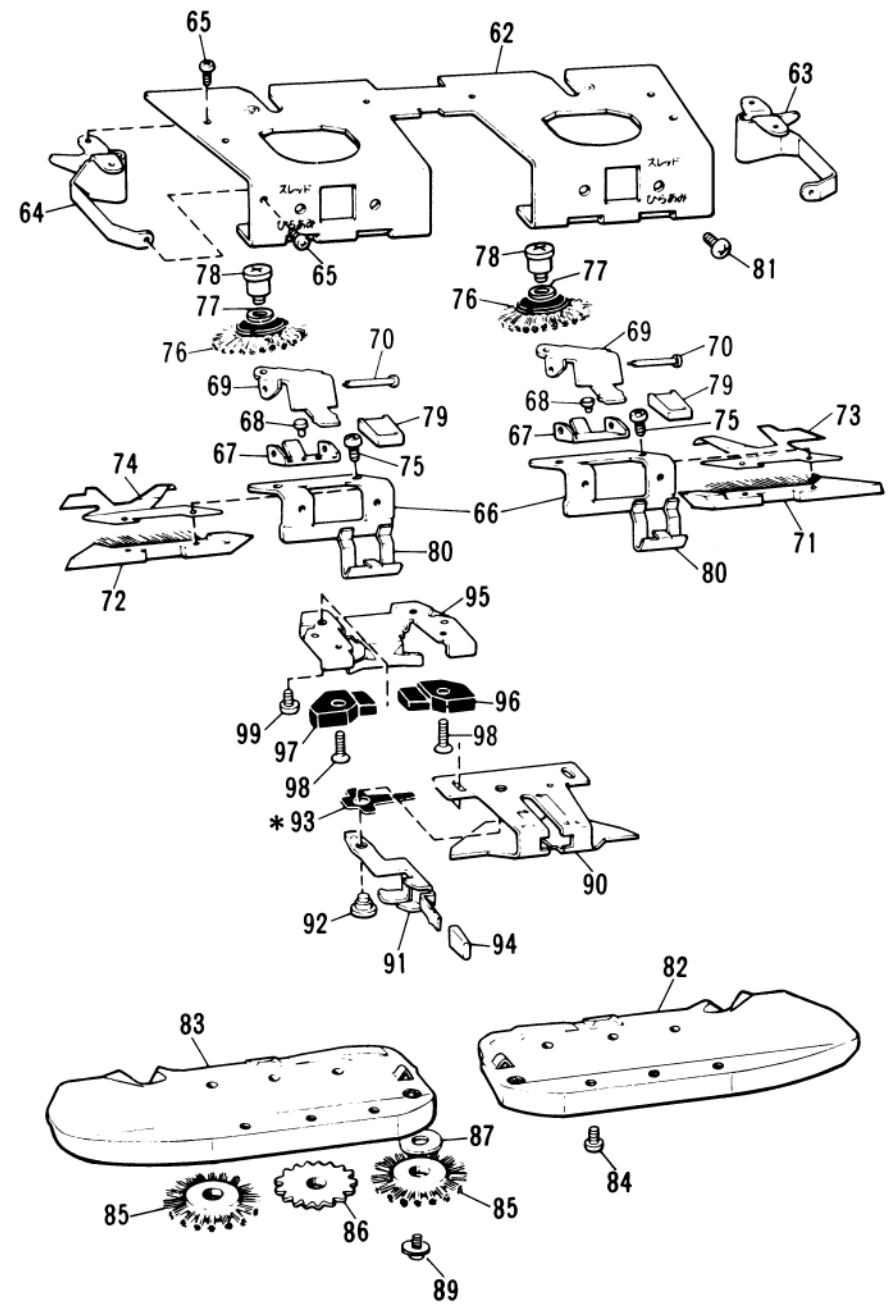
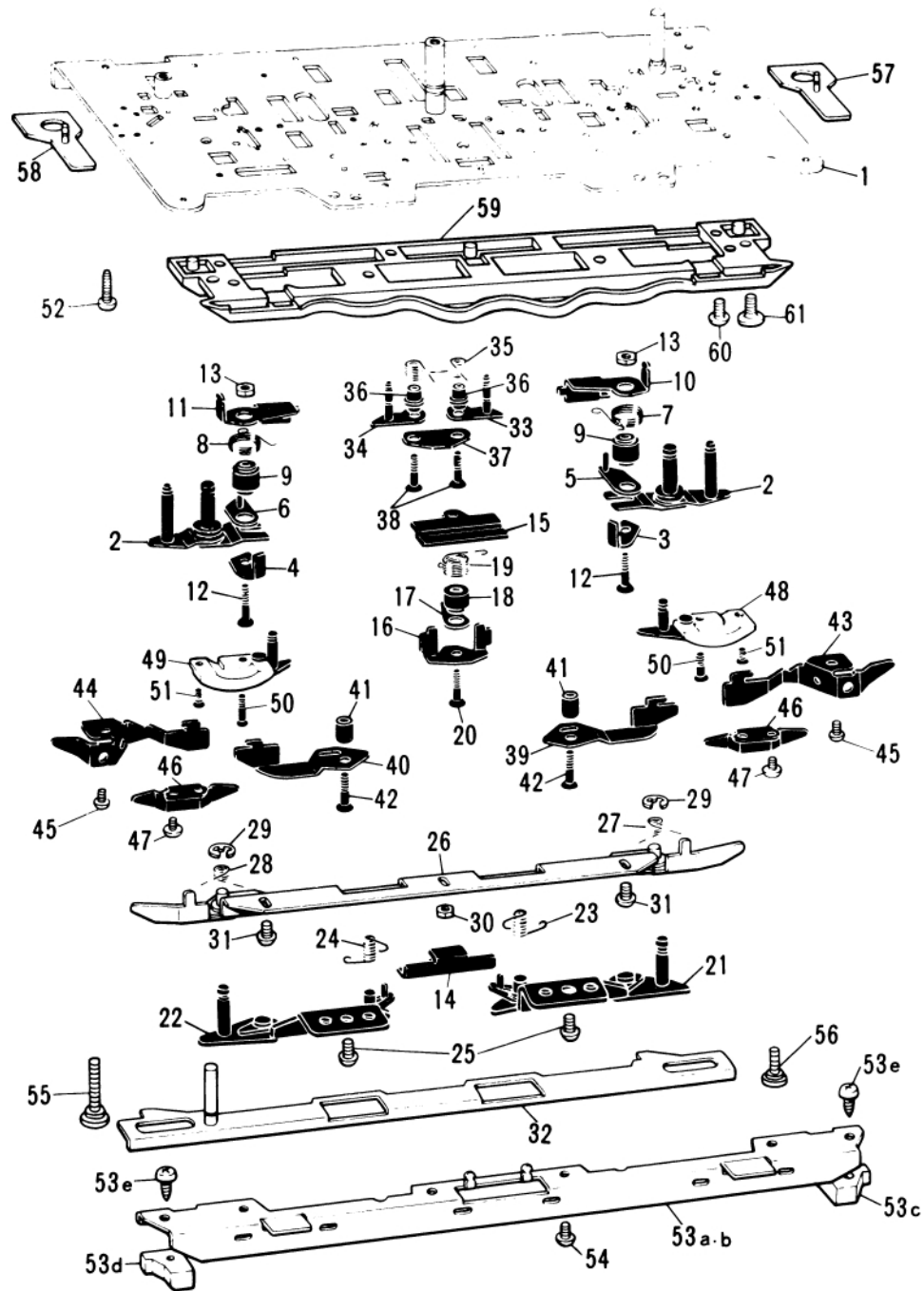


PARTS CATALOGUE FOR BROTHER KH-830 MACHINE



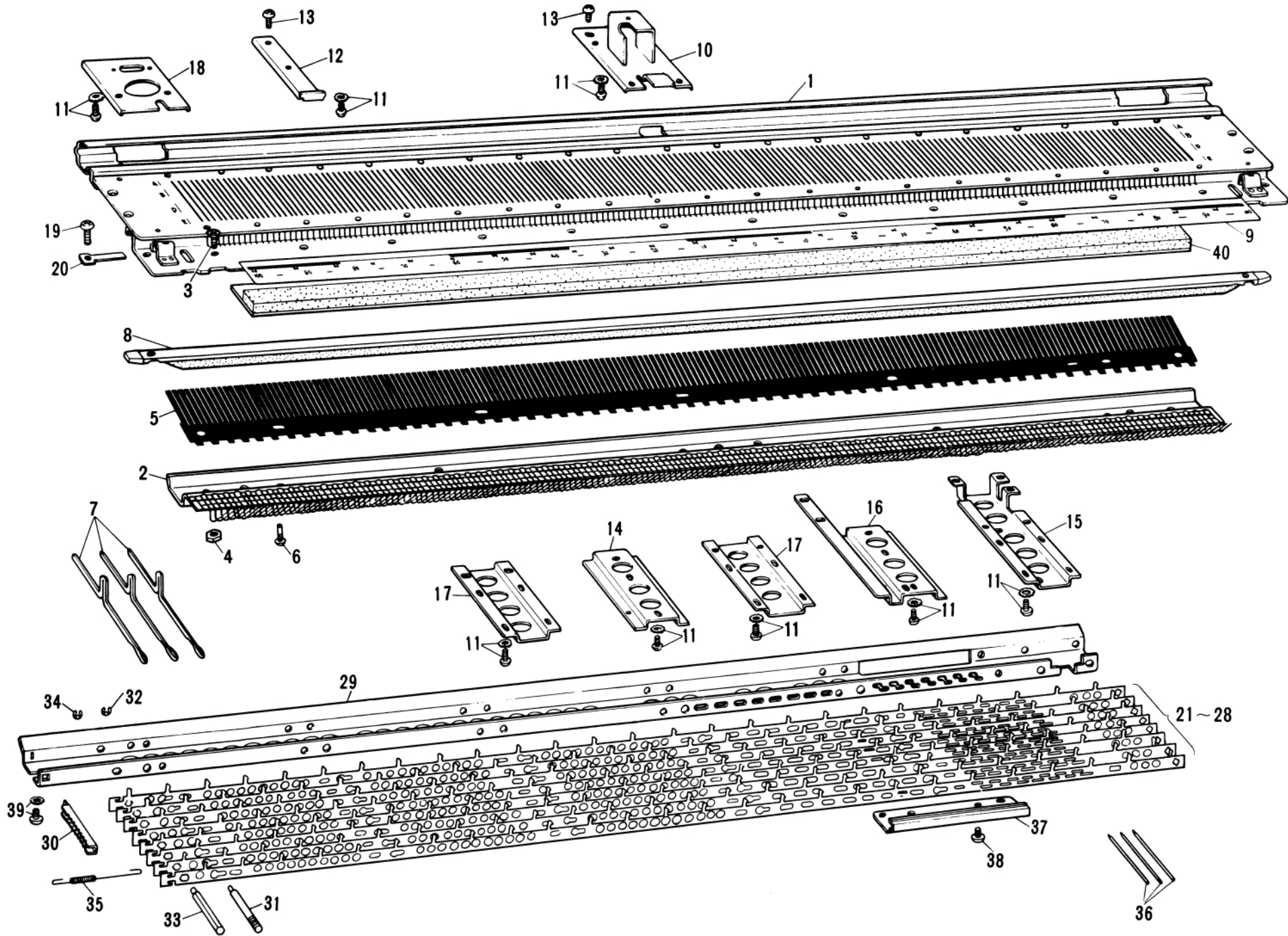
PARTS FOR CARRIAGE UPPER PART

Ref. No.	Parts No.	Description	Revised	Q'ty	Ref. No.	Parts No.	Description	Revised	Q'ty
AI -1-74	408995001	Carriage Complete Set		1	AI -54				
AI -1-99	408461001	Carriage Plate		1	55				
AI -1	407285000	Carriage Magnet 16		2	56	405302002	Push Button For Cam Button Unit		5
2	004661003	Screw	408773001	2	57				
3	407286001	Stitch Cam Guide Plate	409504001	1	58				
4	407289001	Stripe Adjuster Plate		1	59	000670403	Screw	060670403	2
5	000679303	Screw		1	60	407432001	Rasing Cam Change Spring		2
6	405483001	Washer		2	61-62	408857001	Change Knob Assembly		1
7	048070346	Snap Ring		2	61				
8	407290001	Stitch Cam Guide Plate Spring	409506001	1	62				
9	048030346	Snap Ring		2	63	407413001	Stitch Dial		1
10	407692001	Change Plate		1	64	407414001	Stitch Dial Indicator Plate		1
11	408491001	Change Plate Guide Collar		1	65	406283001	Stitch Dial Presser		1
12	407318001	Change Plate Spring		1	66	407415004	Stitch Dial Cap		1
13	407319001	MC Cam Spring		2	67	000660603	Screw	060660603	1
14	407333001	H.C.L.Spring		4	68-69	408931001	Carriage Cover Assembly		1
15	402447003	Washer		1	68				
16	048030346	Snap Ring		1	69	408933001	Carriage Cover Decoration Plate		1
17	407341001	Tuck Cam Operating Plate		1	70	037351615	Tapping Screw		2
18	407342001	Tuck Cam Spring		2	71	407419004	Carriage Handle		1
19	407343001	Presser Ring		2	72	407422001	Screw		2
20	002681203	Screw	062681203	1	73	407350004	Plain Lever Knob		1
21	407364002	Thumb Nut		2	74	407335002	H.C.L. Knob		1
22	407365001	Handle Setting Base, Right		2					
23	407366001	Handle Setting Base, Left		1					
24	407367001	Handle Lock Spring		1					
25	000660403	Screw	060660403	2					
26	000670403	Screw	060670403	2					
27	408477001	Upper Slide Plate		4					
28	048040346	Snap Ring		1					
29	408478001	Row Counter Tripper Assembly		3					
30-32				1					
30									
31									
32									
33	408481001	Spacer		1					
34	408480001	Row Counter Tripper Spring		1					
35	000661203	Screw		1					
36	021660406	Nut		1					
37	408487001	Collar For Rear Guide		1					
38	407826001	Connecting Plate Spring, Right	409543001	1					
39	407827001	Connecting Plate Spring, Left	409544001	1					
40	408485001	Rear Plate		1					
41	408486001	Nut		1					
42	408475001	Needle Selection Change Spring, Left		1					
43	408476001	Needle Selection Change Spring, Right		1					
44-58	408610001	Cam Button Unit		1					
44									
45									
46									
47									
48									
49									
50									
51									
52									
53									



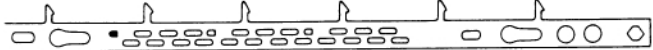
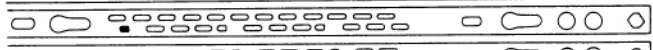

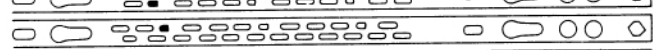

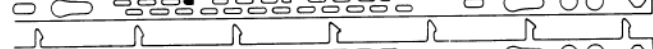
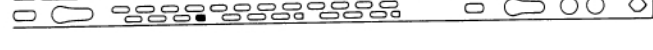

PARTS FOR CARRIAGE LOWER PART

Ref. No.	Parts No.	Description	Revised	Q'ty	Ref. No.	Parts No.	Description	Revised	Q'ty
A II-1	408461001	Carriage Plate		1	A II-57	408482001	Connecting Plate, Right		1
2	407291001	Stitch Cam Assembly		2	58	408484001	Connecting Plate, Left		1
3	407296001	Sub Stitch Cam, Right		1	59	408495000	Rear Foot		1
4	407297001	Sub Stitch Cam, Left		1	60	000660803	Screw	060660803	1
5	407641001	Valve Cam, D, Right		1	61	408455001	Screw		4
6	407642001	Valve Cam D, Left		1	62-89	408935002	Sinker Plate Assembly		1
7	407696001	Valve Cam D Spring, Right		1	62	408936001	Sinker Plate Arm		1
8	407697001	Valve Cam D Spring, Left		1	63	407427000	Weaving Thread Guide, Right		1
9	407298001	Sub Stitch Cam Shaft		2	64	407428000	Weaving Thread Guide, Left		1
10	407313001	MC Cam, Right		1	65	037280513	Tapping Screw	409162001	6
11	407314001	MC Cam, Left		1	66-70	407429001	Weaving Lever Assembly		2
12	407312001	Screw		2	66				
13	021660406	Nut		2	67				
14	408465001	Slide Cam		1	68				
15	408466001	Slide Cam Guide		1	69				
16	407356001	Guide Cam C		1	70				
17	407635001	Valve Cam C		1	71	407435002	Latch Opening Brush, Right		1
18	408467001	Shaft For Guide Cam C		1	72	407436002	Latch Opening Brush, Left		1
19	407636001	Valve Cam C Spring		1	73	408607000	Latch Presser Plate, Right		1
20	408459001	Flat Head Screw C		1	74	408608000	Latch Presser Plate, Left		1
21	408468001	Guide Cam B, Right		1	75	037280616	Screw		4
22	408471001	Guide Cam B, Left		1	76	407437001	Weaving Pattern Brush		2
23	408473001	Valve Cam B Spring, Right		1	77	408249001	Washer For Weaving Pattern Brush		2
24	408474001	Valve Cam B Spring, Left		1	78	408316001	Stud Screw For Weaving Pattern Brush		2
25	408305002	Screw		2	79	407440001	Weaving Lever Knob		2
26-29	407455001	Guide Cam A Assembly		1	80	407441001	Weaving Lever Spring		2
26					81	408305001	Screw		4
27					82	407442001	Sinker Plate, Right		1
28					83	407444001	Sinker Plate, Left		1
29					84	000660303	Screw	060660303	6
30	408524001	Nut		1	85	407702001	Wheel Brush		4
31	408305002	Screw		2	86	405184001	Plastic Gear		2
32	407327001	Front Slide Plate		1	87	405325001	Washer		2
33	407579001	Tuck Cam, Right		1					
34	407586001	Tuck Cam, Left		1	89	000660403	Screw with washer	409621001	6
35	407338001	Tuck Cam Spring		1					
36	407339001	Shaft For Tuck Cam		2	90-93	407870001	* Double Yarn Feeder... APPLICABLE		1
37	407340001	Tuck Cam Plate		1	90		THE MACHINE No. { 1000001 ~ 1007588 { 3000001 ~ 3000205		
38	407299001	Screw		2	91				
39	408042001	Guide Cam D, Right		1	92				
40	408043001	Guide Cam D, Left		1	93				
41	407315001	Shaft For Guide Cam D		2	90~92	409112001	* Double Yarn Feeder... APPLICABLE		1
42	407312001	Screw		2			THE MACHINE No. { 1007589 onwards { 3000206 onwards		
43	408044001	Separation Cam, Right		1					
44	408045001	Separation Cam, Left		1					
45	408544001	Screw	060660403	2					
46	408048001	Guide Cam F		2					
47	002660403	Fastening Screw	062660403	2	93	-	Not required		1
48	409011001	Selection Cam, Right		1	94	407450002	Yarn Feeder Knob		1
49	409013001	Selection Cam, Left		1	95-98	407451001	Magnet Holder Assembly		1
50	408297001	Screw	407410001	2	95				
51	408054001	Screw		2	96				
52	000661603	Screw	060661603	1	97				
53	407392001	Front Foot		1	98				
54	408305002	Screw		2	99	000669305	Screw		2
55	408504001	Stud Screw 3.18		1					
56	408505001	Stud Screw 3.18		1					

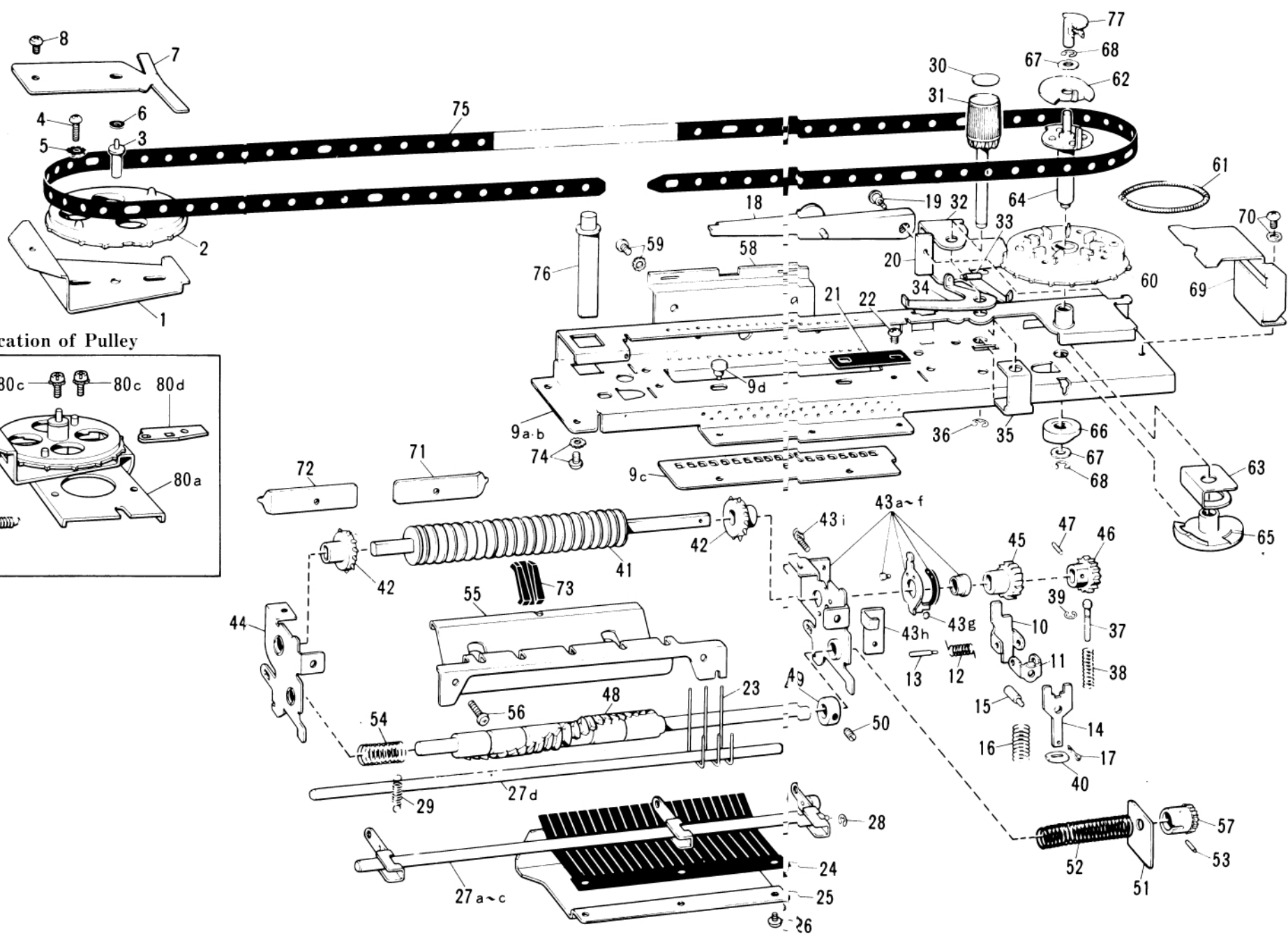
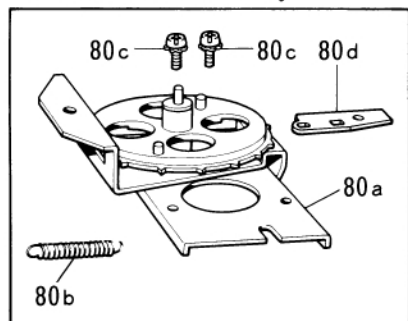


PARTS FOR NEEDLE BED

Ref. No.	Parts No.	Description	Revised	Q'ty	Ref. No.	Parts No.	Description	Revised	Q'ty
B- 1	408543001	Needle Bed Assembly		1					
2	408618001	Needle Bed Comb Assembly	409641001	1					
3	004630704	Screw		12					
4	405077001	Nut		12					
5	407112001	Needle Retaining Spring		1					
6	407687001	Screw		3					
7	407113001	Plain Needle		200					
8	405078002	Sponge Bar Assembly		1					
9	407114001	Needle Position Indicator		1					
10	407565001	Carrying Case Reinforcing Plate A		1					
11	406397001	Screw With Washer		21					
12	407116000	Carrying Case Reinforcing Plate B		1					
13	000660403	Screw	060660403	3					
14	407120000	Lower Holder Plate		1					
15	407121000	Stay, Right		1					
16	408061000	Stay, Center		1					
17	407123000	Stay, Left		2					
18	407124000	Pulley Shaft Holder Plate		1					
19	000660704	Screw	060660704	2					
20	407457001	Extension Rail Lock Spring		2					
21-35	408087001	Needle Selector Plate Holder Assembly		1					
21	408088001	Needle Selector Plate, 1		1					
22	408089001	Needle Selector Plate, 2		1					
23	408090001	Needle Selector Plate, 3		1					
24	408091001	Needle Selector Plate, 4		1					
25	408092001	Needle Selector Plate, 5		1					
26	408093001	Needle Selector Plate, 6		1					
27	408094001	Needle Selector Plate, 7		1					
28	408095001	Needle Selector Plate, 8		1					
29	408097000	Needle Selector Plate Holder		1					
30	407228000	Spring Hanger.		1					
31	408159001	Shaft A		6					
32	048025346	Snap Ring		6					
33	408172001	Shaft B		1					
34	048025346	Snap Ring		1					
35	408086001	Needle Selector Plate Spring		8					
36	408098001	N.S.P. Operation Lever		24					
37	408099001	Operation Lever Presser		1					
38	000660403	Screw	060660403	2					
39	406397001	Screw With Washer	409197001	8					
40	407703000	Sponge Plate		1					

Details of Needle Selector Plate.		
Ref. No.	Needle Selector Plate No.	
B-21	1	
B-22	2	
B-23	3	
B-24	4	
B-25	5	
B-26	6	
B-27	7	
B-28	8	

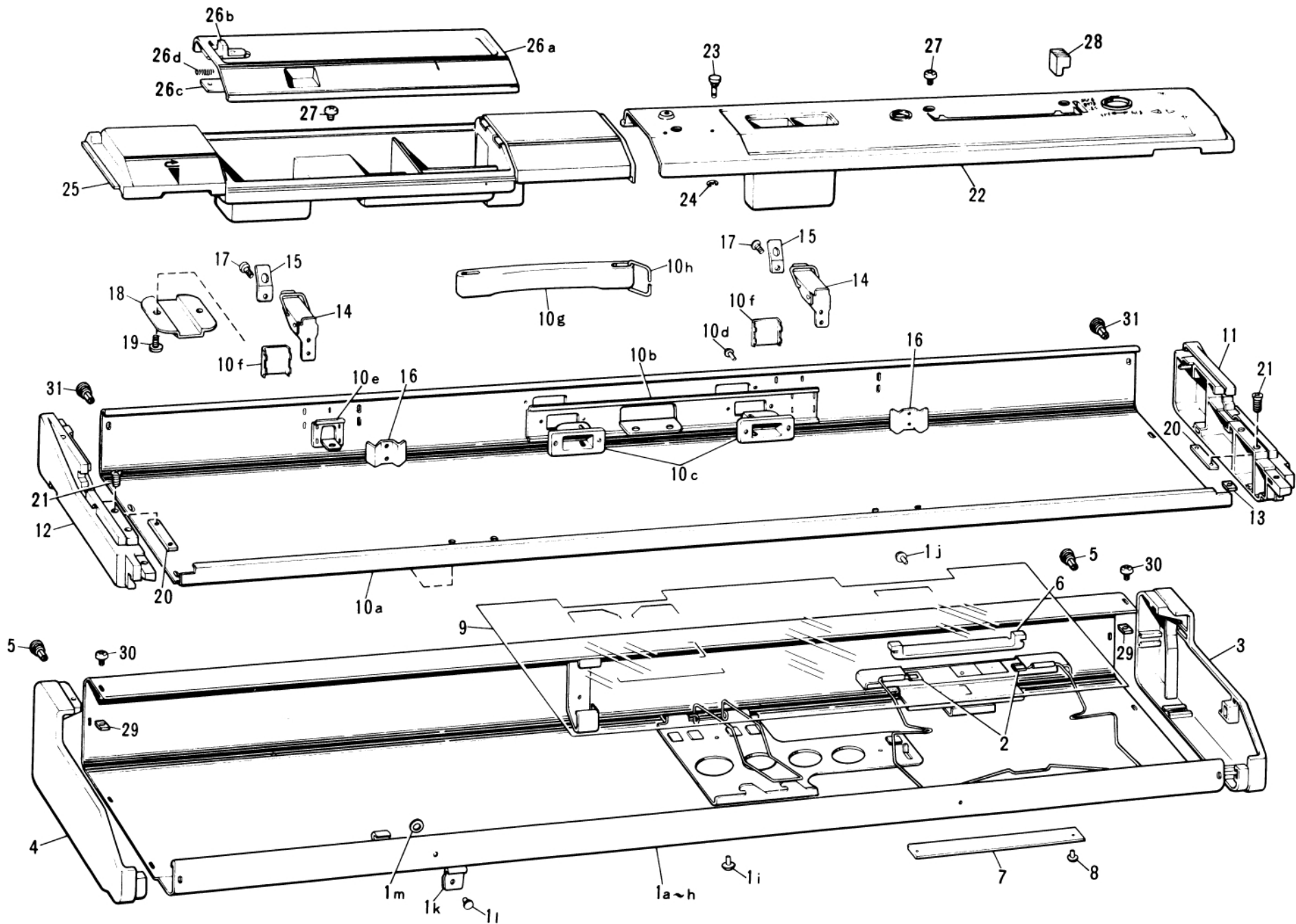
Modification of Pulley



NEEDLE SELECTOR UNIT Fig: C

PARTS FOR NEEDLE SELECTOR UNIT

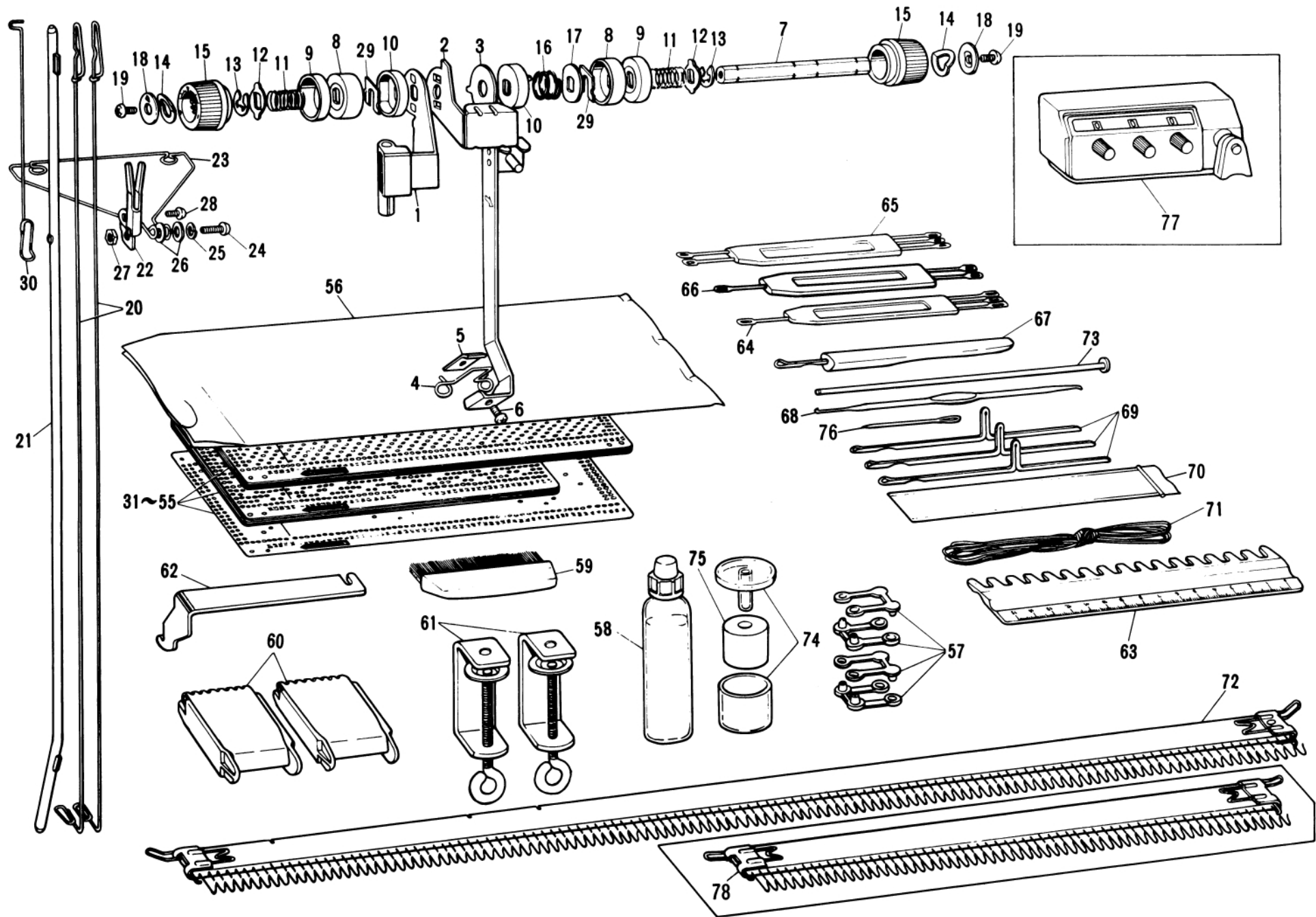
Ref. No.	Parts No.	Description	Revised	Q'ty	Ref. No.	Parts No.	Description	Revised	Q'ty
C-1-3	408177001	Pulley Assembly		1					
1			Please refer to Ref. No. 80a-80d.						
2									
3									
4	000660603	Screw			2				
5	407595001	Teeth Washer		2					
6	407596000	Washer		1					
7	407597001	Brake Spring		1					
8	000660403	Screw	060660403	1					
9-73	408527001	Needle Selector Unit	410024001	1					
9a-d	408063001	Needle Selector Unit Body		1	C-44	408075001	Card Roller Holder, Left		1
					45	407176000	Ratchet Wheel		1
					46	407177000	Card Position Guide Gear		1
					47	407473001	Pin		1
					48	408078002	Rotary Cam		1
					49	407184001	Rotary Cam Adjuster Collar		1
10-15	407138001	Ratchet Assembly		1	50	013680516	Stopper Screw		2
10					51	408542000	Rotary Cam Stopper Plate		1
11					52	408164001	Bevel Gear Spring		1
12					53	407183001	Pin		1
13					54	408165001	Rotary Cam Spring		1
14					55	407187001	Card Guide		1
15					56	000660403	Screw	060660403	2
16	407145001	Ratchet Operation Plate Spring		1	57	407185000	Bevel Gear		1
17	045100802	Split Pin		1	58	407188000	Card Reader Holder		1
18	408529001	Card Feeding Lever Assembly		1	59	406397001	Screw With Washer	409197001	2
19	408534001	Stud Screw		1	60	408173001	Clutch Wheel Assembly		1
20	407197000	Card Feeding Adjuster Plate		1	61	407202001	Clutch Spring		1
21	408068001	Card Reader Guide Stopper		1	62	407205001	Clutch Cam B		1
22	000660403	Screw	060660403	1	63	407472001	Bevel Gear Stopper Plate		1
23	407152001	Card Reader		24	64	407206001	Clutch Cam A		1
24	408315001	Card Reader Spring		1	65	408082000	Card Feeding Cam		1
25	408213000	Card Reader Spring Presser Plate		1	66	408083000	Card Reader Release Cam		1
26	002669303	Screw		3	67	025350333	Washer		2
27a-d	408069001	Card Reader Release Plate Assembly		1	68	048025346	Snap Ring		2
					69	408084000	Timing Belt Guide Plate, Right		1
					70	406397001	Screw With Washer	409197001	2
					71	408309001	Spring Plate R		1
					72	408308001	Spring Plate L		1
28	048020346	Snap Ring		1	73	407467000	Card Guide Pin Holder		1
29	407161001	Spring For Card Reader Release Plate		1	74	406397001	Screw With Washer	409197001	5
30-31	407189008	Card Feeding knob Assembly		1	75	408181001	Timing Belt		1
30					76	408065004	Push Button		1
31					77	407523002	Direction Indicator Plate		1
32	408535001	Intermittent Feeding Lever		1					
33	408536001	Intermittent Feeding Lever Spring		1					
34	408537001	Change Lever		1	80a-d	410012002	Pulley Assembly		1
35	407193000	Card Feeding knob Stopper Cam		1	80b	410016001	Belt Tension Control Spring		1
36	048020346	Snap Ring		1	80c	410072001	Screw With Washer		2
37	407179001	Card Position Guide Pin		1	80d	410071001	Pulley Adjusting Plate		1
38	407180001	Spring		1					
39	048020346	Snap Ring		1					
40	407464000	Ratchet Spring Stopper Ring		1					
41-56	408538001	Card Feeding Unit		1					
41	407162001	Card Roller		1					
42	407164001	Feeding Gear		2					
43a-i	408539001	Card Roller Holder Right Assembly		1					



PARTS FOR CARRYING CASE Fig: D

PARTS FOR CARRYING CASE

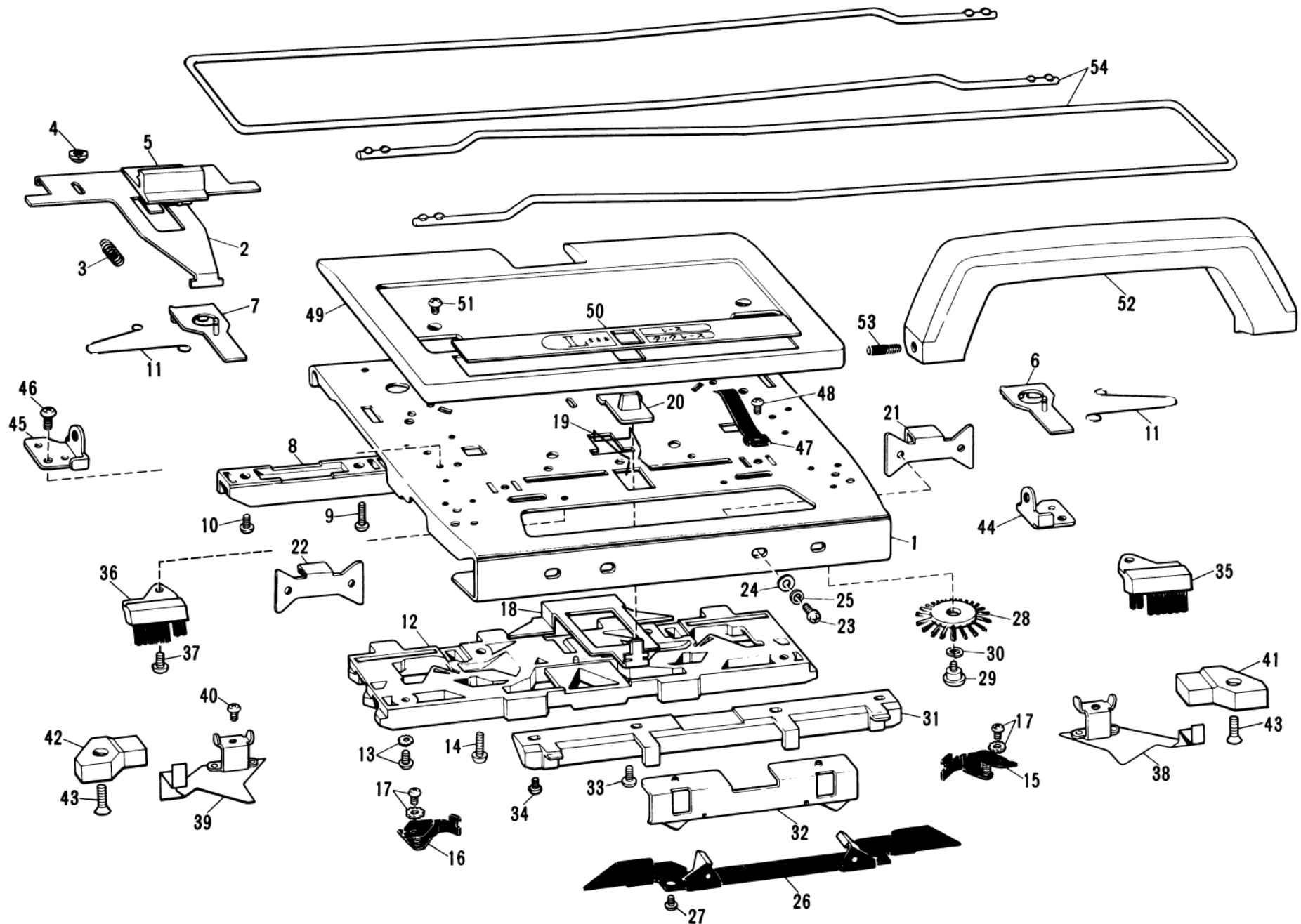
Ref. No.	Parts No.	Description	Revised	Q'ty	Ref. No.	Parts No.	Description	Revised	Q'ty	
D-1-17 1-9, 29 & 30 1a-n	408937001	Carrying Case Complete		1	D-27	000660504	Fastening Screw	060660504	4	
	408938001	Carrying Case Upper Assembly		1		28	407277004		Card Lock Lever Knob	1
	408278001	Carrying Case Upper Body		1		29	407252001		Square Nut, 3.18	2
				30		408307001	Screw		2	
				31		408194001	Plastic Rivet		6	
2	408250001	Cushion Tube		2						
3	407250004	Upper Side Plate, Right		1						
4	407251004	Upper Side Plate, Left		1						
5	408194001	Plastic Rivet		8						
6	407741001	L Carriage Holder Plate		1						
7	408939001	Brother Name Plate		1						
8	408037001	Rivet		2						
9	407850001	Packing Instruction Sheet		1						
10-17 & 31 10a-h	408324003	Carrying Case Lower Assembly		1						
	407254002	Carrying Case Lower Body		1						
11	407262004	Lower Side Plate, Right		1						
12	407263004	Lower Side Plate, Left		1						
13	407252001	Square Nut, 3.18		2						
14	404022001	Carrying Case Lock Assembly		2						
15	404027001	Carrying Case Lock Spring		2						
16	407115000	Fastening Plate		2						
17	405658001	Fastening Screw		4						
18	407261001	Table Clamp Setting Plate		2						
19	000660604	Screw	060660604	4						
20	407265000	Needle Bed Fastening Plate		2						
21	407119001	Screw		4						
22-24	408940001	Panel Assembly		1						
22										
23										
24										
25-26d	408545001	Accessories Box Assembly		1						
25										
26a-d										



PARTS FOR ACCESSORIES Fig. E

PARTS FOR ACCESSORIES

Ref. No.	Parts No.	Description	Revised	Q'ty	Ref. No.	Parts No.	Description	Revised	Q'ty
E-1-30	408553001	Yarn Tension Unit Assembly	410672001	1	E-56	407479004	Card Case		1
1					57	407724001	Plastic Snap (4pcs. in one set)	409170001	1
2					58	405135004	Special Knitting Machine Oil		1
3					59	403552002	Hand Brush		1
4					60	404883005	Claw Weight		2
5					61	407510001	Table Clamp	409198001	2
6					62	407481001	Carriage Lock		1
7					63	407482002	1/1 Needle Pusher		1
8					64	402575003	1×3 Transfer Tool		1
9					65	402631003	2×3 Transfer Tool		1
10					66	402576003	1×2 Transfer Tool		1
11					67	407458002	Latch Tool		1
12					68	402577001	Crochet		1
13					69	407113001	Plain Needle		3
14					70	407483000	Spare Needle Case		1
15					71	402389001	Cast-On Thread		1
16					72	404787005	Cast-On Comb, Long		1
17					73	407518001	Card Holder Pin		1
18					74	404823000	Wax Case		1
19					75	404811000	Yarn Wax		1
20	404755001	Take-Up Spring		2	76	402714001	Tapestry Needle		1
21					77	405134004	Row Counter		1
22					78	404884005	Cast-On Comb, Short		1
23									
24									
25									
26									
27									
28									
29									
30	408614001	Sub Take-Up Spring		1					
31-56	408975001	Punch Card Set		1					
31	408601002	Punch Card No. 1D		1					
32	408602002	Punch Card No. 2D		1					
33	408603002	Punch Card No. 3D		1					
34	408604002	Punch Card No. 4D	407604002	1					
35	408255003	Punch Card No. 5D		1					
36	408976001	Punch Card No. 6D		1					
37	408257003	Punch Card No. 7D		1					
38	408978001	Punch Card No. 8D		1					
39	408979001	Punch Card No. 9D		1					
40	408260003	Punch Card No. 10D		1					
41	408981001	Punch Card No. 11D		1					
42	408982001	Punch Card No. 12D		1					
43	408983001	Punch Card No. 13D		1					
44	408984001	Punch Card No. 14D		1					
45	408985001	Punch Card No. 15D		1					
46	408986001	Punch Card No. 16D		1					
47	408987001	Punch Card No. 17D		1					
48	408988001	Punch Card No. 18D		1					
49	408989001	Punch Card No. 19D		1					
50	408990001	Punch Card No. 20D		1					
51	408991001	Punch Card No. 21D		1					
52	408992001	Punch Card No. 22D		1					
53	408993001	Punch Card No. 23D		1					
54	408994001	Punch Card No. 24D		1					
55	408120002	Punch Card No. 25D		1					



PARTS FOR L-CARRIAGE	Fig: F
----------------------	--------

PARTS FOR L-CARRIAGE

Ref. No.	Parts No.	Description	Revised	Q'ty	Ref. No.	Parts No.	Description	Revised	Q'ty
F-1-53	408942001	L Carriage Assembly		1					
1	408574001	L Carriage Plate		1					
2	408127001	Release Button Plate		1					
3	407497000	Release Button Plate Spring		1					
4	408166001	Stud For Release Button Plate		2					
5	407496004	Release Button		1					
6	408167001	Connecting Plate R For L Carriage		1					
7	408169001	Connecting Plate L For L Carriage		1					
8	407493000	Rear Foot		1					
9	000660703	Screw		2					
10	000660503	Fastening Screw		2					
11	408128001	Connecting Plate Spring		2					
12	408568000	Main Cam		1					
13	406397001	Screw With Washer	409197001	2					
14	000660803	Screw	060660803	2					
15	408569001	Separation Cam R For L Carriage		1					
16	408571001	Separation Cam L For L Carriage		1					
17	406397001	Screw With Washer	409197001	2					
18	408582001	Lace Selecting Cam		1					
19	408583001	Change Lever Spring		1					
20	408584001	Lace Selecting Knob		1					
21	408140001	Needle Transfer Plate, R		1					
22	408141001	Needle Transfer Plate, L		1					
23	000660504	Fastening Screw		4					
24	403069001	Washer		4					
25	028030243	Spring Washer		4					
26	408573001	Cam Plate		1					
27	000660403	Screw	060660403	2					
28	408146001	Wheel Brush		2					
29	405029001	Stud Screw		2					
30	028030243	Spring Washer		2					
31	407490000	Front Foot		1					
32	408579001	Front Foot Holder		1					
33	000660703	Screw		2					
34	000660503	Fastening Screw	060660503	2					
35	408580002	Small Brush, R		1					
36	408581002	Small Brush, L		1					
37	000660403	Screw	060660403	2					
38	408561001	Spring Plate, Right		1					
39	408562001	Spring Plate, Left		1					
40	000660503	Fastening Screw	060660503	2					
41	407454000	Magnet, Right		1					
42	407578000	Magnet, Left		1					
43	004661003	Screw		2					
44	407508001	Handle Setting Base, R		1					
45	407507001	Handle Setting Base, L		1					
46	000670503	Screw		2					
47	407522001	Handle Lock Spring		2					
48	000660303	Screw	060660303	2					
49-50	408943001	L Carriage Cover Assembly		1					
49									
50									
51	000660403	Screw	060660403	2					
52	407503004	L Carriage Handle		1					
53	407422001	Screw		2					
54	408122001	Extension Rail		2					